

WINDLOADS FOR SINGLE FAMILY, DUPLEX & TOWNHOUSE

Per Table R301.2(2) FBC Residential 2010

For Building with Mean Roof Height (MRH) up to 30 feet

<u>EXPOSURE</u>	<u>INTERIOR</u> <u>ZONE 4</u>		<u>CORNER</u> <u>ZONE 5</u>	
	B	+35.3	-38.2	+35.3
C	+49.4	-52.9	+49.4	-66.1

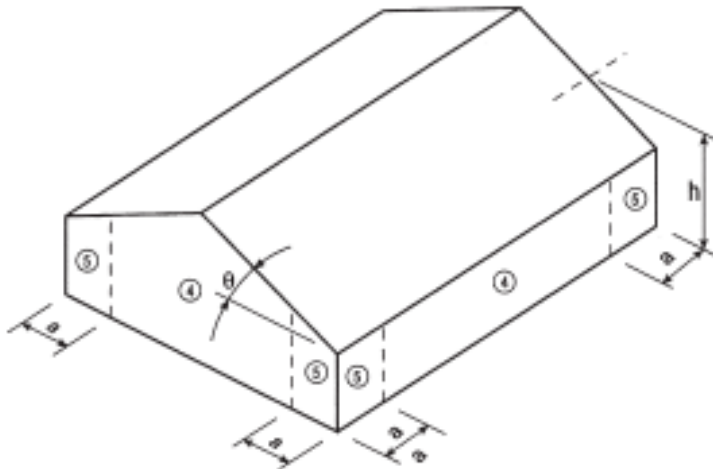
Zone 5 is any opening within the corner distance from any corner.

Mean Roof Height (h) = _____

Corner distance (a) = _____
 the lesser of MRH (Mean Roof Height) x .4
 or W (Width) X .1 but not less than 3 feet

Garage Door Loads from Table R301.2(4) Building with MRH up 30 feet

BASIC WIND SPEED 140 (MPH - 3 SECOND GUST)							
Roof Angle > 10 degrees Effective Area:		Exposure B		Exposure C			
Width (ft)	Height (ft)						
9	7	+31.0	-35.1	+43.4	-49.2		
16	7	+29.7	-33.1	+41.2	-46.4		



WIDTH (W) IS THE NARROWEST SIDE OF THE BUILDING